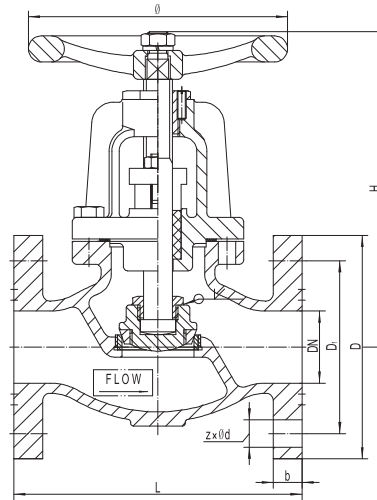


## KCGG-10F. JIS 10K GLOBE VALVE



### Specifications

Basic standard
<ul style="list-style-type: none"> <li>● Flange end: JIS B 2239/KS B1511</li> </ul>
Feature
<ul style="list-style-type: none"> <li>● Nominal pressure : 10K</li> <li>● Seal test(water): 1.6 MPa</li> <li>● Shell test(water): 2.1 MPa</li> <li>● Suitable temperature: ≤200°C</li> <li>● Suitable medium: water, steam</li> </ul>

### Main parts and materials

Part Name	Material
Body	Cast Iron
Seal ring	Brass/Stainless steel
Disc	Cast Iron
Stem	SS420
Bonnet	Cast Iron

### Dimensions

DN	L	D	D1	b	Z×Φd	Hmax	Hmin	Φ
50	200	155	120	20	4×Φ19	238	221	180
65	220	175	140	22	4×Φ19	265	239	190
80	240	185	150	22	8×Φ19	300	269	210
100	290	210	175	24	8×Φ19	353	312	240
125	360	250	210	24	8×Φ23	413.5	353.5	260
150	410	280	240	26	8×Φ23	483	393	270
200	500	330	290	26	12×Φ23	557.5	463.5	350